

Twyford
showering
For life

TWYLITE SHOWER TRAYS



BY APPOINTMENT TO
HER MAJESTY THE QUEEN
MANUFACTURERS OF BATHROOM
& WASHROOM FITTINGS
TWYFORD BATHROOMS
STOKE-ON-TRENT

Twyford
bathrooms

Registered office: Lawton Road, Alsager, Stoke-on-Trent ST7 2DF, UK
Telephone: +44(0) 1270 879777 General Fax: +44(0) 1270 873864
Sales Office Fax: 0870 843 2285
www.twyfordbathrooms.com

Part of the Sanitec Group
Ref: TWNY0050/1

TWYLITE
SHOWER TRAYS

LIGHTER ■ TOUGHER ■ SLIMMER

LIGHTER

TOUGHER

SLIMMER

Quick and easy installation in 7 simple steps



Clever storage

Legs are stored in recesses on the underside of the tray. You can choose whether to install flat to floor or on legs.



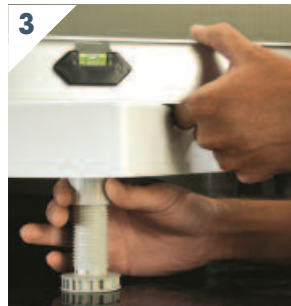
Leg assembly

If installing the tray on legs, assemble them while the tray is still in the box. Remove the feet from the recesses in the underside of the tray and screw them into the cast-in threads in the bottom of the tray.



Position the tray

Remove the tray from the box and position it accordingly. We recommend you position the waste position at the front for easy access as and when required.



Level the tray

If using legs, ensure that the tray is level by adjusting each one individually, as shown. Legs can be fixed once level by using locknuts.



Fit the waste

The Twyford 90mm high flow waste (supplied separately) should now be fitted as shown.



5

Secure to the wall

Once the tray is positioned and waste fitted, secure it to the wall using the wall brackets provided.



6

Fit the panels

Simply attach the panel clips to the legs and let the velcro pads do all the hard work.



7

It's as simple as that

A perfect job completed in no time at all!



Twylite - Quality and versatility

Whatever specification you are looking for, the Twylite range has the perfect tray for you.

All Twylite trays are available in flat top and upstand versions, and they can all be installed flat to floor or with the legs and panels provided.



Flat top

With its contemporary design, the Twylite flat top tray is a stylish addition to any bathroom. With a height of only 35mm (125mm with a panel). Fitting in perfectly with today's design trends. Twylite's flexibility of installation allows you to make the choice.



Upstand

The addition of a tiling upstand creates a watertight job all around. There are 4 upstands on the square & rectangle trays, and 2 for the quadrant trays. Twylite upstands measure 20mm making it one of the slimmest upstand trays on the market, at only 55mm including the upstand when flat to floor, 145mm when installed with panels.



Efficient waste flow

Since Twylite trays are so slim, it is important that they drain away waste water quickly and efficiently. Clever design means that water is fed rapidly to the waste, with the tray rims angled slightly to ensure that all water flows back to the 90mm waste hole.

The Twylite Shower Tray collection

Introducing Twylite - the lightweight shower tray range that provides strength and durability, along with stylish design... and all at easily affordable prices.

There's a flexible choice of installation methods, incorporating the Total Install® fitting system - which dramatically reduces installation time.

The range includes all the popular sizes, and as you can always expect from Twyford there's no compromise on specification or quality.

Not only are Twylite trays easy on the eye, they are also kind to the environment. As well as the packaging being 100% recyclable all the material used to make the product can be recycled too - making Twylite one of the greenest choices of shower trays on the market.



Twyford
showering

For life

LIFT HERE

LIFETIME
guarantee

All Twylite products carry a lifetime guarantee against manufacturing faults.



Lightweight material

Twylite trays are made from acrylic-capped polyconcrete - polyurethane with a limestone filler. All trays weigh less than 24kg including all fixtures & fittings (tray, legs & panels).

There is no need for a two-person lift on-site, as recommended by the HSE handling guidelines - which is 25kg.

Upstand and flat top versions

All Twylite trays are available in flat top and upstand versions, so they're ideal for every application - whether you are looking at refurbishing or starting the job from scratch. Our flat top trays are very stylish and the upstand trays offer optimum water tightness. All Twylite square and rectangular trays come with 4 upstands and the quadrant trays come with 2 upstands.

Install flat to floor or with legs and panels provided - quick!



All Twylite trays come complete with legs and panels (both front and side). They can also all be installed flat to floor if preferred. All that's needed for either form of installation is provided in a single slimline box - and however you do it, the Twyford Total Install® Fitting System makes the job quick and easy.

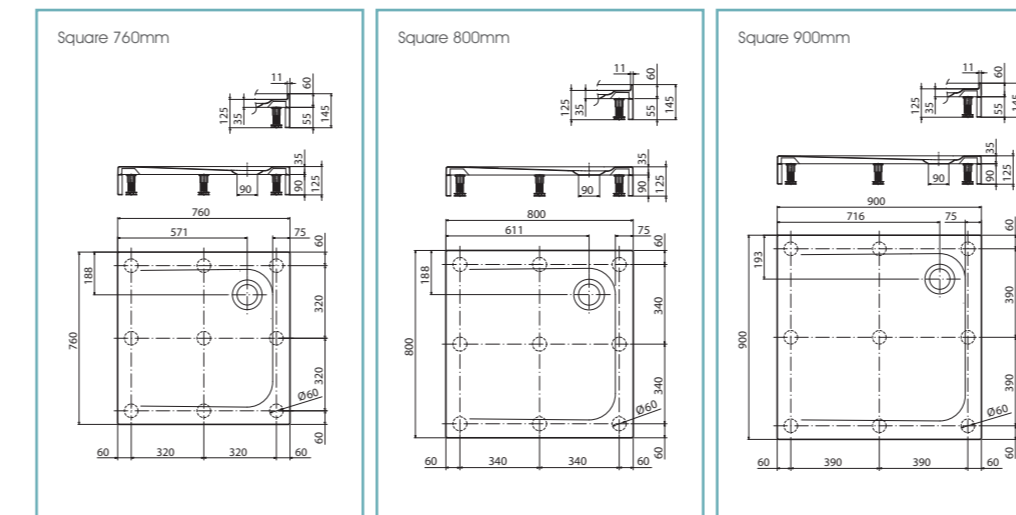
Other features

- One of the slimmest trays on the market at 35mm high. Even with a panel the complete height is a maximum of 125mm - the addition of an upstand adds an extra 20mm to this.
- 90mm waste hole - in keeping with contemporary feel and designed to take away water from the tray as fast as possible. Please note that the waste is not supplied with the tray and must be ordered separately.
- Twylite trays are available in white only.
- All Twylite trays come with a lifetime guarantee for complete peace of mind.

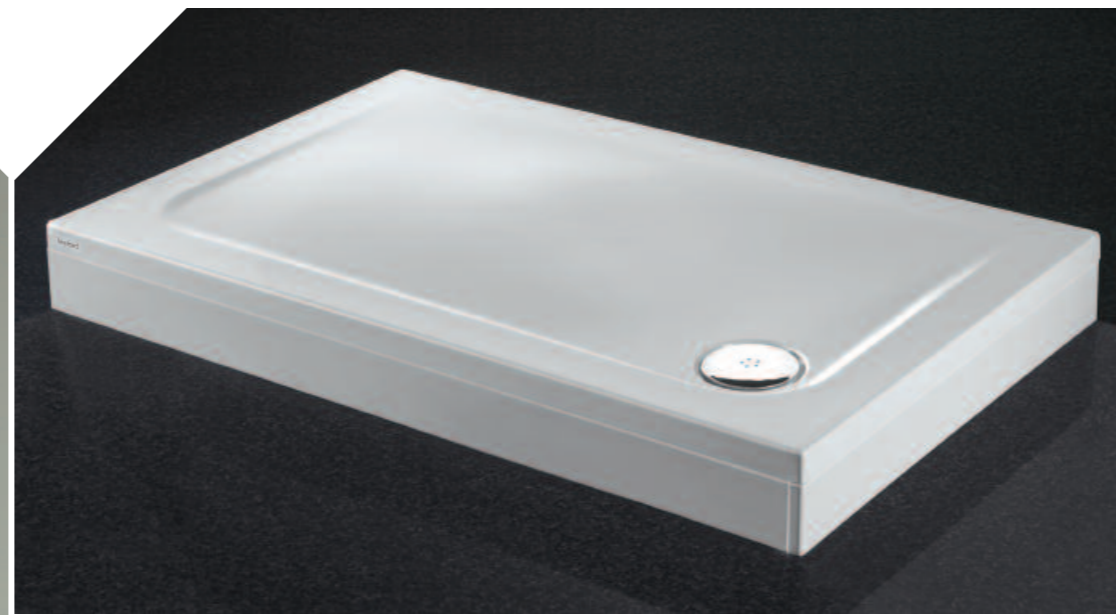


Twylite Square

Available in 3 dimensions, see below:

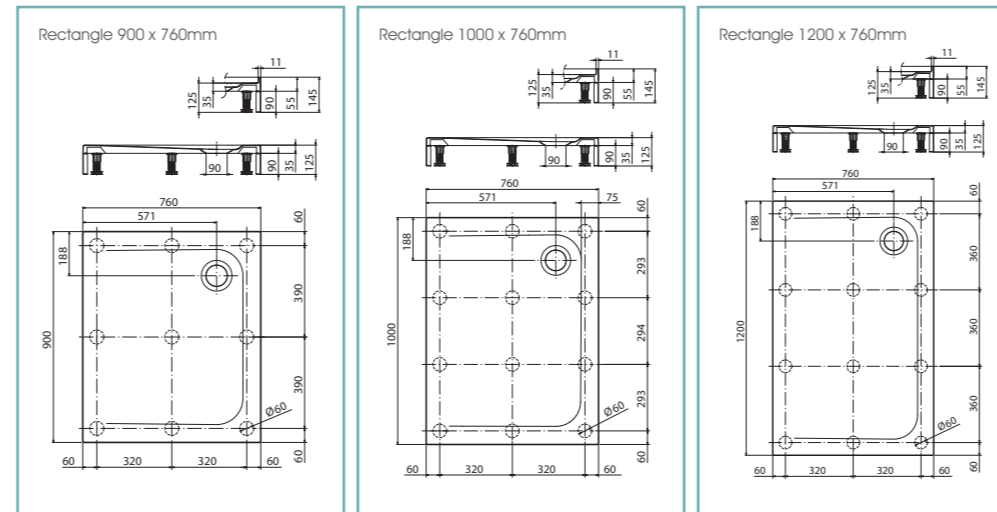


Number	Description	RRP Ex VAT	RRP Inc VAT
TU6178WH	Twylite Square 760mm 4 Upstand Tray	£134.78	£155.00
TL6178WH	Twylite Square 760mm Flat Top Tray	£134.78	£155.00
TU6188WH	Twylite Square 800mm 4 Upstand Tray	£152.17	£175.00
TL6188WH	Twylite Square 800mm Flat Top Tray	£152.17	£175.00
TU6198WH	Twylite Square 900mm 4 Upstand Tray	£197.39	£227.00
TL6198WH	Twylite Square 900mm Flat Top Tray	£197.39	£227.00
SF8888XX	90mm High Flow Waste Kit	£25.53	£29.36

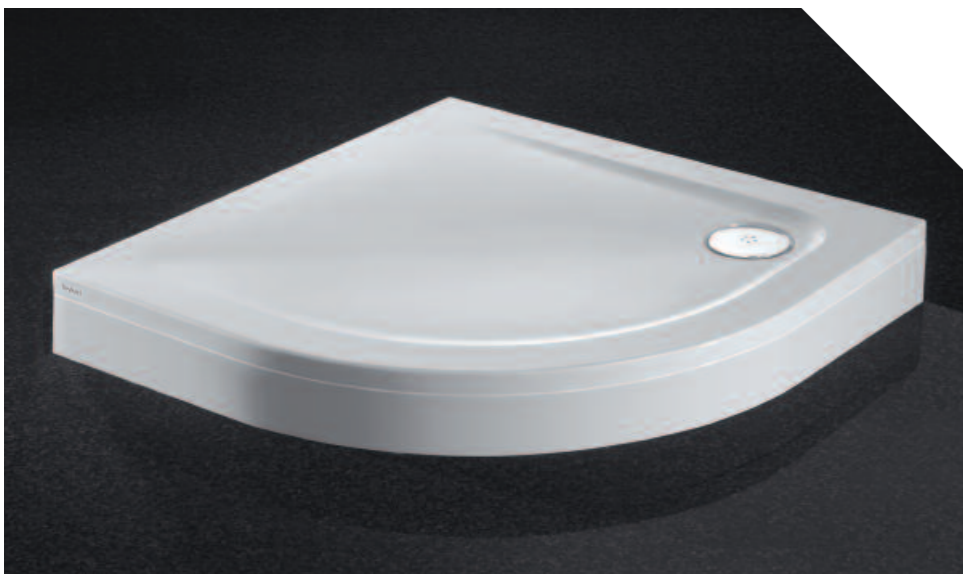


Twylite Rectangle

Available in 3 dimensions, see below:

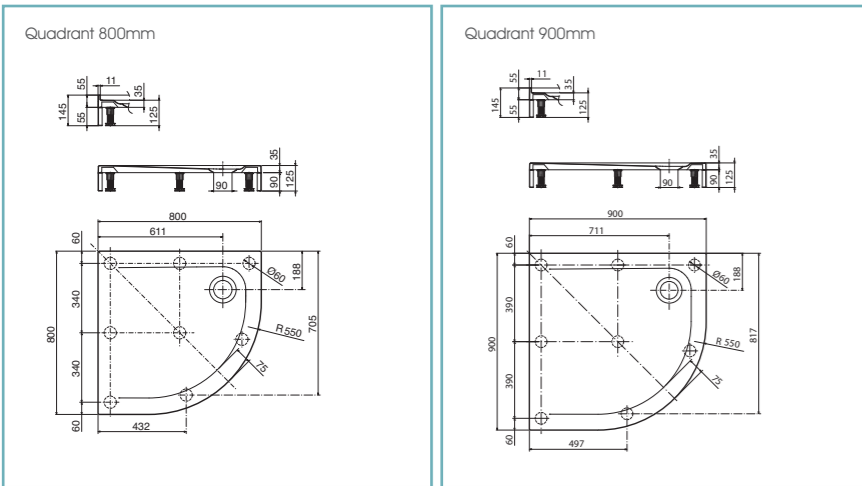


Number	Description	RRP Ex VAT	RRP Inc VAT
TU6598WH	Twylite Rectangle 900 x 760mm 4 Upstand Tray	£188.70	£217.00
TL6598WH	Twylite Rectangle 900 x 760mm Flat Top Tray	£188.70	£217.00
TU6518WH	Twylite Rectangle 1000 x 760mm 4 Upstand Tray	£197.39	£227.00
TL6518WH	Twylite Rectangle 1000 x 760mm Flat Top Tray	£197.39	£227.00
TU6528WH	Twylite Rectangle 1200 x 760mm 4 Upstand Tray	£215.65	£248.00
TL6528WH	Twylite Rectangle 1200 x 760mm Flat Top Tray	£215.65	£248.00
SF8888XX	90mm High Flow Waste Kit	£25.53	£29.36



Twylite Quadrant

Available in 2 dimensions, see below:



Number	Description	RRP Ex VAT	RRP Inc VAT
TU6088WH	Twylite Quadrant 800mm 2 Upstand Tray	£180.00	£207.00
TL6088WH	Twylite Quadrant 800mm Flat Top Tray	£180.00	£207.00
TU6098WH	Twylite Quadrant 900mm 2 Upstand Tray	£197.39	£227.00
TL6098WH	Twylite Quadrant 900mm Flat Top Tray	£197.39	£227.00
SF8888XX	90mm High Flow Waste Kit	£25.53	£29.36

